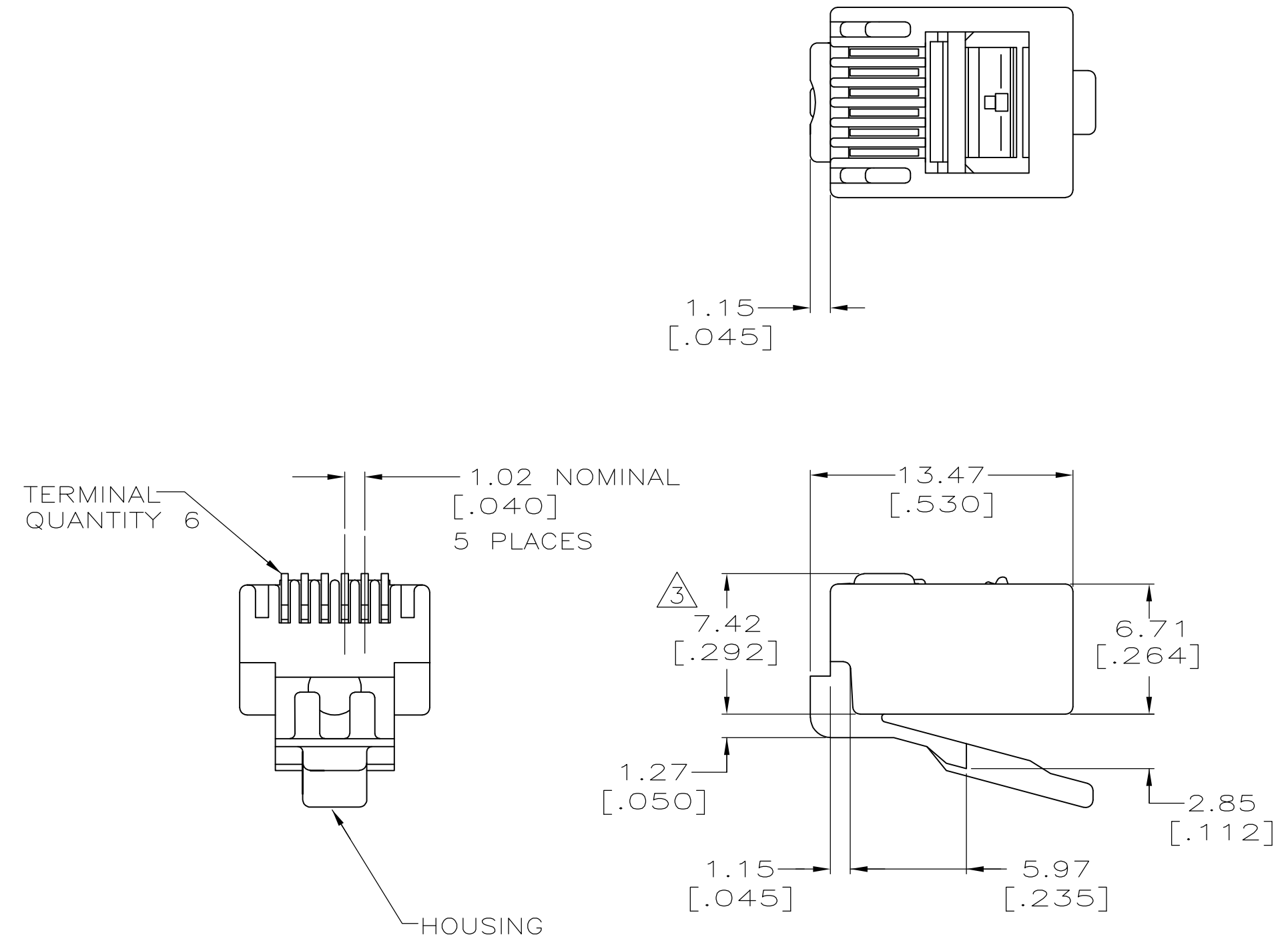


THIS DRAWING IS UNPUBLISHED. RELEASED FOR PUBLICATION
 © COPYRIGHT BY TYCO ELECTRONICS CORPORATION. ALL RIGHTS RESERVED.

LOC	DIST	REVISIONS					
HM	00	P	LTR	DESCRIPTION	DATE	DWN	APVD
		K		OBS -1, REV ECO-07-021025	11DEC07	LH	BM
		L		REV ECO-08-007212	31MAR08	LH	BM



- 1 MATERIAL: HOUSING—POLYCARBONATE, CLEAR. TERMINAL—0.36[.014] THICK PHOSPHOR BRONZE PLATED WITH 1.27 μ m[.000050] THICK GOLD IN LOCALIZED GOLD PLATE AREA, GOLD FLASH OVER THE REMAINDER, OVER 2.54 μ m[.000100] THICK NICKEL UNDERPLATE.
- 2. PLUG WILL ACCEPT 0.89[.035] DIAMETER STRANDED, 26 OR 28 AWG, OR TINSEL 28 AWG WIRE WITH A 4.58[.180] DIAMETER MAXIMUM JACKET.
- 3 TERMINATED DIMENSION 6.15[.242] MAXIMUM.
- 5 DIMENSIONS ARE MAXIMUM UNLESS OTHERWISE SPECIFIED.
- 6 10,000 ASSEMBLIES PER PACKAGE.
- 7 1000 ASSEMBLIES PER PACKAGE.
- 8 100 ASSEMBLIES PER PACKAGE.
- 9 25 ASSEMBLIES PER PACKAGE.

OBSOLETE

9	LOOSE PIECE	5-554710-4
8		5-554710-3
7		5-554710-2
6		5-554710-1
	REELED	554710-1
	PACKAGED	
	DESCRIPTION	

THIS DRAWING IS A CONTROLLED DOCUMENT.		DWN L. HALL 11DEC2007	Tyco Electronics Corporation Harrisburg, PA 17105-3608	
DIMENSIONS: MM [INCHES]		CHK B. MCNEILL 11DEC2007	NAME	
TOLERANCES UNLESS OTHERWISE SPECIFIED:		APVD B. MCNEILL 11DEC2007	PRODUCT SPEC	
0 PLC ± -	1 PLC ± -	108-1163		
2 PLC ± -	3 PLC ± -	APPLICATION SPEC		
4 PLC ± -	ANGLES ± -	114-6016		
MATERIAL -	FINISH -	WEIGHT -	SIZE A2	CAGE CODE 00779
			DRAWING NO C=554710	RESTRICTED TO -
			CUSTOMER DRAWING	SCALE 4:1 SHEET 1 of 1 REV L